



PRODUCT SPECIFICATION

VS5000 Series Switcher

SEQUENTIAL, VIDEO, WITH/WITHOUT ALARMS



Product Features

- 120 or 230 VAC Input
- 4 or 8 Inputs (Terminating or Looping)
- Single Output (VS5104/VS5108)
Dual Outputs (VS5004/VS5008)
- Alarm Inputs (VS5004/VS5008)
- For use with Color or B/W Cameras
- Capable of Operating on 12 VDC for use in Mobile Applications

The **VS5004/VS5008** are low cost, desktop, sequential switchers designed to manually or automatically switch four or eight cameras to one or two monitors and respond automatically to alarm inputs.

The **VS5004** is shipped as a homing unit and can be converted to a bridging unit. The **VS5008** has an added bridging amplifier that allows the **VS5008** to function as a "homing" or "bridging" unit without the need for conversion. If the MON2 output only is used, the **VS5008** functions as a "homing" unit. If both MON1 and MON2 outputs are used, it functions as a "bridging" unit.

In the alarm condition, the **VS5004/VS5008** will automatically switch and "hold" on the alarmed input and provide a signal to activate auxiliary equipment such as a VCR. The alarmed condition will remain only as long as alarm closure remains. If multiple alarms occur, the **VS5004/VS5008** will switch between the alarmed inputs at a rate of approximately 5 seconds.

The **VS5104/VS5108** have the same features as the VS5004/VS5008 except they are desktop homing switchers having one monitor output, no alarm capability, and cannot be rack mounted.

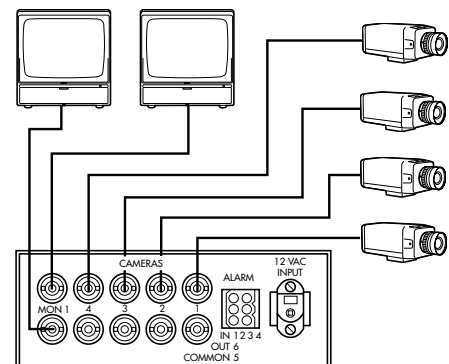
All models feature terminating inputs (which can easily be converted to looping inputs for applications requiring looping switchers), adjustable dwell (from 1-70 seconds), vertical interval switching and bypass capability, and are powered by U.L. listed external wall transformers (supplied).



VS5004



VS5108



VS5004 REAR VIEW





TECHNICAL SPECIFICATIONS

MODELS

Single Output, Without Alarm (Desktop Only)

VS5104	4-position, single output sequential switcher without alarm inputs, 120 VAC
VS5104/220	Same as VS5104 except 230 VAC
VS5108	8-position, single output sequential switcher without alarm inputs, 120 VAC
VS5108/220	Same as VS5108 except 230 VAC

Dual Output, With Alarm (Desktop or Rack Mount)

VS5004	4-position, dual output sequential switcher with alarm inputs, 120 VAC
VS5004/220	Same as VS5004 except 230 VAC
VS5008	8-position, dual output sequential switcher with alarm inputs, 120 VAC
VS5008/220	Same as VS5008 except 230 VAC

VIDEO

Inputs	Terminating; 75 ohm internal termination
Outputs	
Monitor 1/2	75 ohm source terminated (amplified)
Monitor 2	Bridging (non-amplified) unterminated (VS5004 only. Requires field conversion.)
Monitor X	Coaxitron transmitter (non-amplified) output (VS5008 only)
Gain	Unity
Dwell	Adjustable from 1–70 seconds nominal
Frequency Response	Flat within ±1 dB to 10 MHz
Maximum Signal Level	2 Vp-p
Tilt	Less than 2%
Crosstalk	Better than -40 dB at 5.5 MHz

ELECTRICAL

Input Voltage	120 VAC, 50/60 Hz or 230 VAC, 50 Hz to dedicated wall transformer (as noted in model description)
Power Requirements for Transformer	1.5 vA (.125 amp) at 12 volts RMS ±15% 50/60 Hz from a dedicated isolated power source. (Wall transformer provided with unit) <i>(Note: These units are also capable of operating on 12 VDC for use in mobile applications.)</i>
Connectors	BNC
Alarm In*	1 common and 1 wire per channel
Alarm Out*	Normally open contact, 10V at 1 mA Open collector grounded emitter transistor (2N222)

*Applicable to VS5004/VS5008 switchers only.

GENERAL

Construction	
Chassis	Steel, zinc plated
Cover	Steel, black polyester powder coat
Panel	Aluminum, black polyester powder coat white silk screen
Environment	32° to 120°F (0° to 48.89°C)
Dimensions	
VS5004	1.75" H x 5.63" W x 8.75" D (4.45 x 14.30 x 22.23 cm)
VS5008	1.75" H x 14.50" W x 8.50" D (4.45 x 36.83 x 21.59 cm)
VS5104	1.77" H x 5.51" W x 8.81" D (4.50 x 14.00 x 22.38 cm)
VS5108	1.77" H x 8.61" W x 9.25" D (4.50 x 21.87 x 23.50 cm)
Unit Weight	
VS5004	2.70 lb (1.23 kg)
VS5008	5.25 lb (2.38 kg)
VS5104	2.53 lb (1.15 kg)
VS5108	3.82 lb (1.73 kg)
Shipping Weight	
VS5004	4 lb (1.81 kg)
VS5008	7 lb (3.17 kg)
VS5104	4 lb (1.81 kg)
VS5108	5 lb (2.27 kg)

CERTIFICATIONS/RATINGS

- ◆ CE, Class A (VS5004/220, VS5008/220, VS5104/220 and VS5108/220)
- ◆ UL listed to Standard 2044 (VS5104, VS5108, VS5004, and VS5008)
- ◆ FCC, Class A (VS5104, VS5108, VS5004, and VS5008)
- ◆ Meets NEMA 1 Standards

OPTIONS (Models VS5004/VS5008 Only)

DT200	Dual desktop mount kit; two VS5004 switchers can be mounted side-by-side in one desktop chassis. (See C965 spec)
R300	Rack mount kit for up to three VS5004 switchers. 1 RU (See C965 spec)
RKS10	Rack mount kit for one VS5008 switcher. 1 RU (See C965 spec)

Note: VS5104 and VS5108 models are desktop units and cannot be rack mounted.